



Quench 565-T

High-Capacity Sparkling Water Dispenser

- Cold and room temperature filtered water
- Chilled sparkling water
- Easy-to-use pull tap dispensing
- Ice bank cooling technology
- Space-saving countertop design



water up



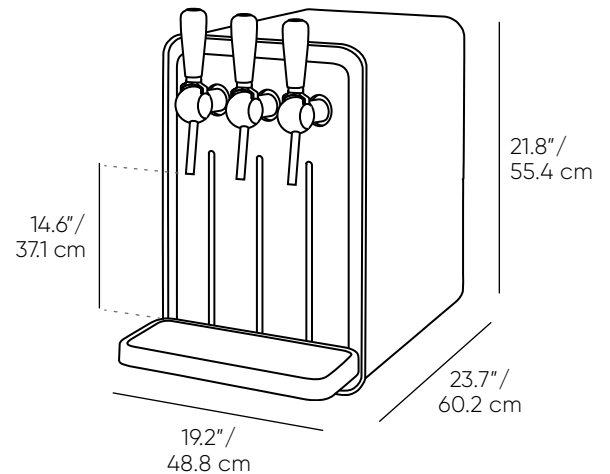
Quench 565-T

Upgrade your commercial capacity filtered water dispenser with sparkling water! The Quench 565-T is a modern commercial grade filtered still and sparkling dispensing system. The Quench 565-T offers a large dispensing area with electronic push button dispensing, perfect for quick-filling large glasses and carafes. The Quench 565-T has a cooling capacity of 40 gallons per hour, perfect for most office cafeterias, small restaurants, and busy waiting rooms.



High-Capacity Sparkling Water Dispenser

- Cold and room temperature filtered water
- Chilled sparkling water
- Ice bank cooling technology
- Easy-to-use pull tap dispensing for quick carafe filling
- Dispensing height of 14.6"/37.1 cm to accommodate large glasses or carafes
- Safety inlet valve for quick shut-off
- Attractive stainless steel case



Specifications

Dimensions	21.8" h x 19.2" w x 23.7" d / 55.4 cm h x 48.8 cm w x 60.2 cm d
Dispensing Height	14.6" / 37.1 cm
Weight	101 lbs
Water Options	Cold, room temperature, sparkling
Continuous Cold Water Supply	40 gallons / 151.4 liters
Cooling Technology	Ice bank
Operating CO ₂ Pressure	50 - 60 psi
Recommended Water Pressure	50 - 80 psi
Rated Voltage/Frequency	115V/60Hz
Power Consumption	885 W - 8.35 Amps
Model Number	565-T

Quench products are certified by independent authorized 3rd party laboratories in accordance of appropriate industry standards. To find out more about which certification your product may have, please contact us.